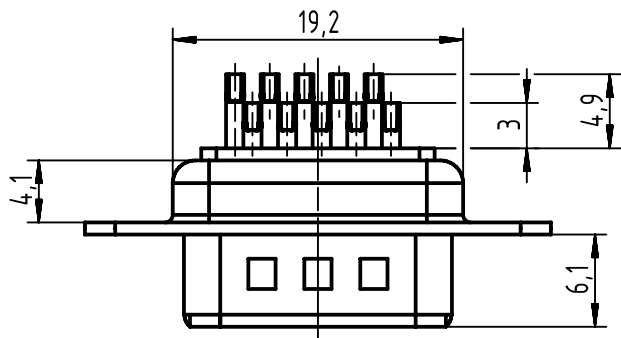
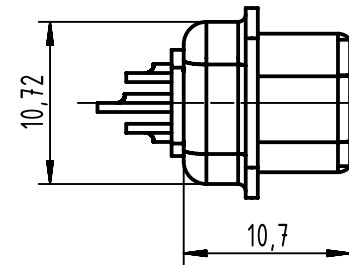
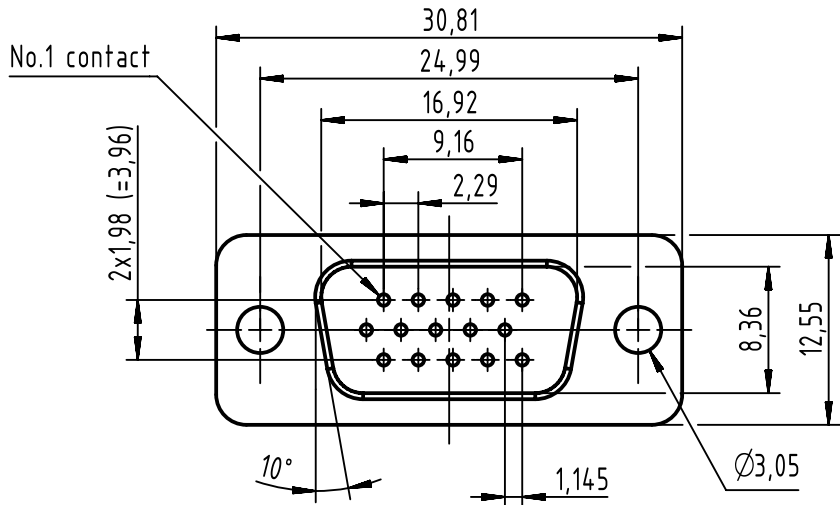



1 2 3 4 5 6



Entry hole type: stamped contact

	All rights reserved Department EC PD - CN	All Dimensions in mm Original Size DIN A4		Scale 2:1	Free size tol.		Ref.		
		Created by ZHUANGJ	Inspected by LUOK	Standardisation SCHREIER	Date 2016-12-14	State Final Release		Doc-Key / ECM-Nr. 100513263/UGD/001/B 5000001124.10	
HARTING Electronics GmbH D-32339 Espelkamp		Title D-Sub HD 15-pole male straight solder cup					Rev. <b>B</b>		Page 1/1
0965 100 5615 050	S4	Type <b>TB</b>		Number <b>09561005615050</b>		Part number      Performance level			