

1 2 3 4

A

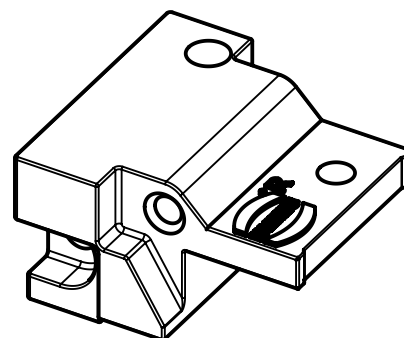
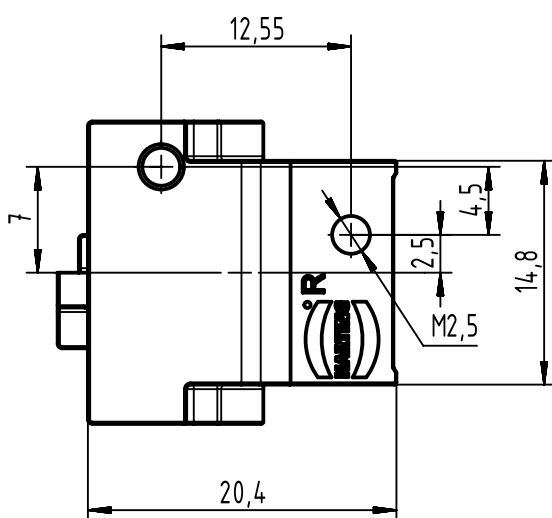
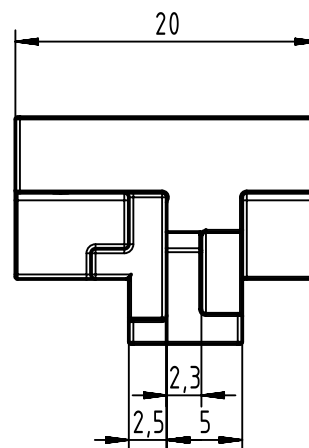
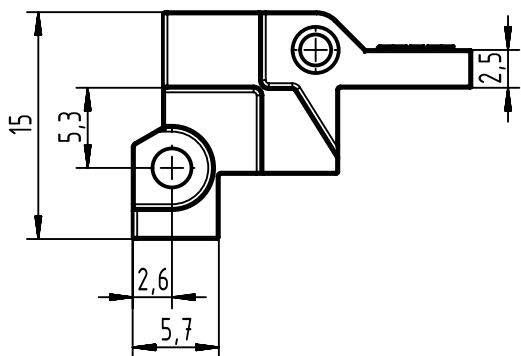
B

C

D

E

F



All Dimensions in mm
Original Size DIN A4

Scale
2:1

Free size tol.

Ref.

Sub.



All rights reserved
Department EC PD - RO

Created by
STOICA

Inspected by
AVRAM

Standardisation
HOFFMANN

Date
2013-06-20

State
Final Release

HARTING Electronics GmbH
D-32339 Espelkamp

Title
DIN-Power bracket right

Doc-Key / ECM-Nr.
100222301/UGD/009/A
500000063386

Type
TB

Number
09068009968

Rev.
A

Page
1/1