

5

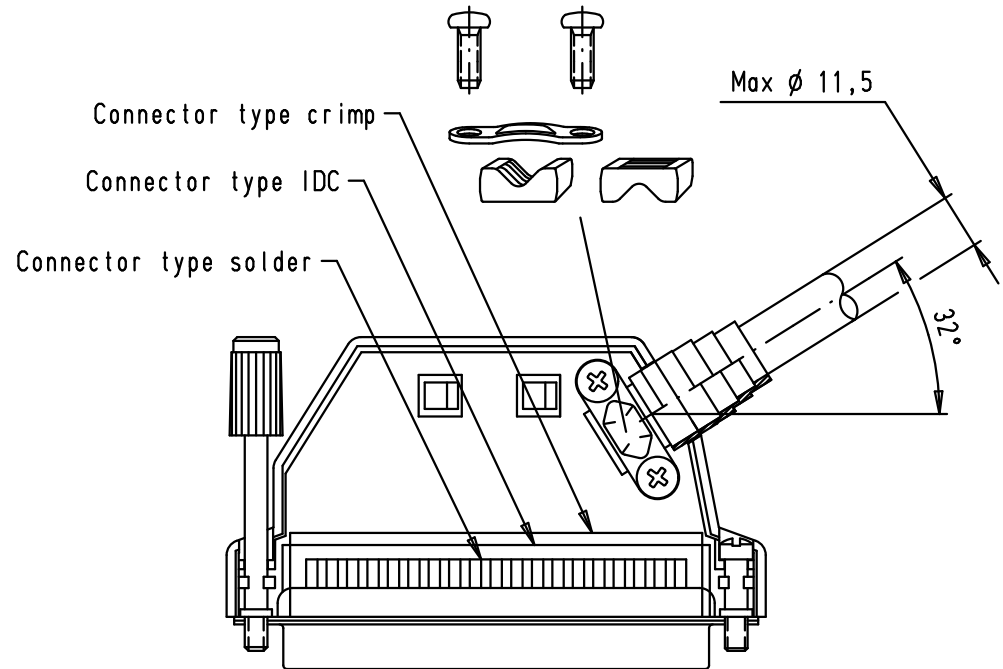
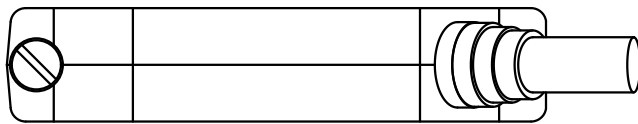
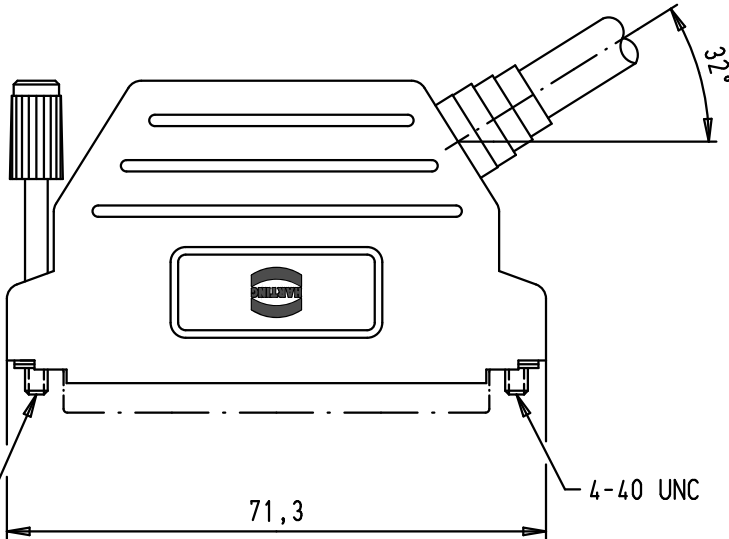
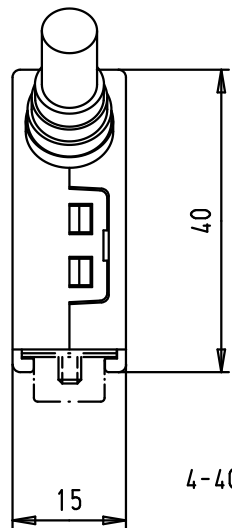
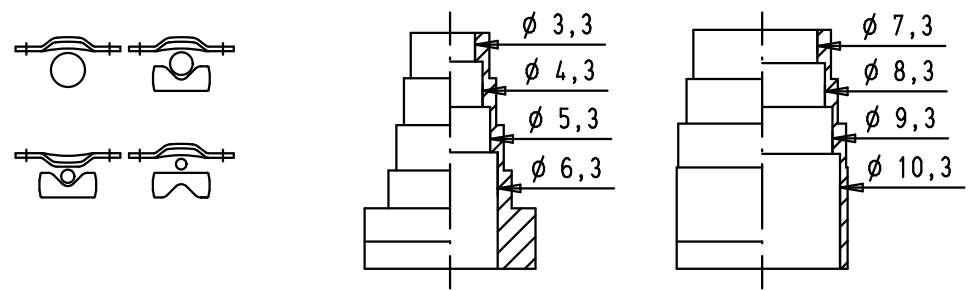
4



3

2

1

Cable diameters (scale: 2:1)



				Dot.	Name	 All Dim. in mm Orig. Size DIN A 4	D-Sub, top and side entry hood with knurled screws, 37 poles, thermoplastic metallized	Maßstab/ Scale 1:1 2:1
			Detail.	28/03/02	CV			
			Insp.					
			Stand.					
34784	18/02/08	PK	HARTING EURL				TB 09 67 037 0435	Blatt/ Page 1 / 1
29760	28/03/02	CV	F-95972 Paris					
Mod.	Dot.	Name	Sub.					