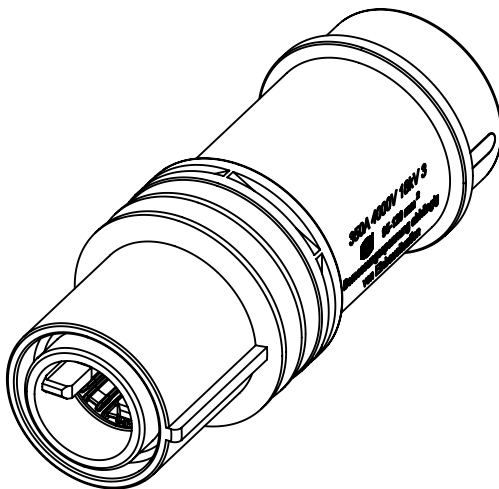


SW5
hexagonal driver

stripping length: 19⁺¹mm
insulation diameter: max.19,5mm

wire gauge		tightening torque
95-120mm ²	AWG 4/0-5/0	12-14 Nm



	All rights reserved Department EL PD	All Dimensions in mm Original Size DIN A4			Scale 1:1	Free size tol.		Ref. Sub.			
		HARTING Electric GmbH & Co. KG D-32339 Espelkamp	Created by RULLKOETTER	Inspected by SCHNIEDER	Standardisation RUETERA	Date 2018-02-16	State Final Release		Doc-Key / ECM-Nr. 100085545/UGD/006/A 5000001314.13		
		Title Han 1HC-bu-AX (350A,95-120mm ²)				Type TB		Number 09 11 001 2752		Rev. A	Page 1/1