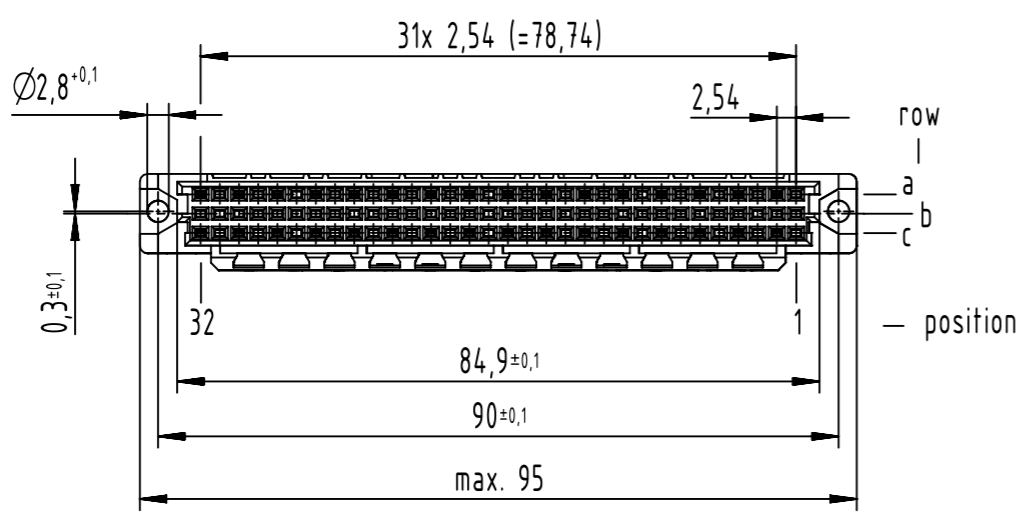
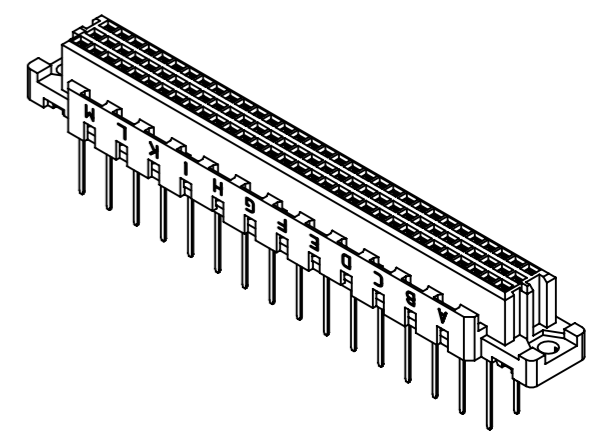
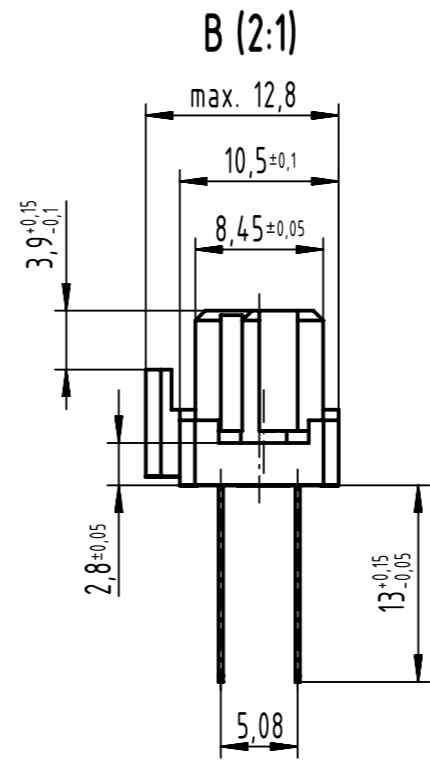
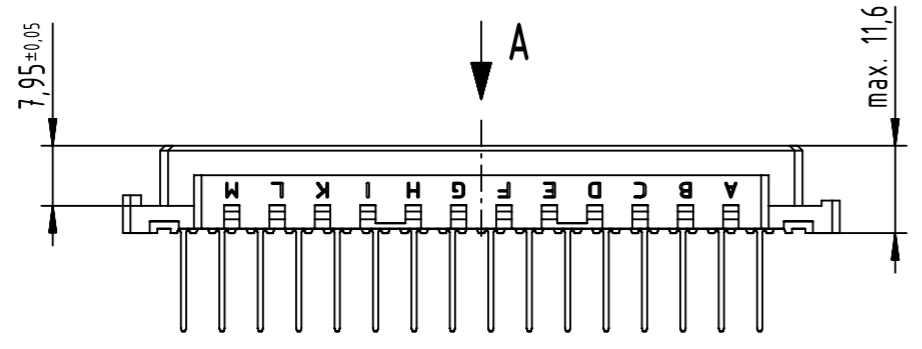


32 solder contacts  
 ☒ = solder contact  
 □ = position without contact



further information see product data sheet

09 03 732 6421	2
part no.	performance level

All rights reserved Department EL PD HARTING D-32339 Espelkamp	All Dimensions in mm Original Size DIN A3	Scale 1:1	Free size tol. IEC 60603-2	Ref. Sub.
	Created by STORCK	Inspected by LEHNERT	Standardisation 302077	Date 2021-03-23
Title DIN Signal type C female solder 13.0 w. coding 32-pole				Doc-Key / ECM-Nr. 100173852/UGD/253/G 500000191082
Type TB		Number 0903732X421		Rev. G
				Page 1/1